



STEAM PLANET

By homewardbath

Royal Luxury Series

Installation & Operations Manual



WS-102



WS-105

Note: You must read all installation & operation instructions prior to assembly and use of this unit.

Table of Contents

Notice to Installers	3
Tools Needed for Installation	3
Product Features	4
Unit Information	4
Electrical Information	5
Plumbing Requirements	5
General Information	5
Installation Instructions for WS102 & WS105	6-7
Handle Assembly	8
Temperature Adjustments	8
Faucet Maintenance & Care	9
Cleaning & Maintenance	10
Steam Generator Cleaning	10
General use & Maintenance	10
Control Parts Information	11
LCD Display Information	112
Control Panel Information	12
Control Procedures	13-14
Wireless FM Transmitter Information	15
Troubleshooting	16

Thank you for selecting Steam Planet Corp Computerized Steam Rooms.

In order to operate and use the product properly, please follow all instructions provided in this User's Manual. Our company reserves the right to change the Manual at anytime. The manual takes effect the date it is published. This manual shall prevail if there is any difference between this and previous documents and manuals.

NOTICE TO INSTALLERS (if applicable)

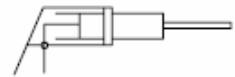
THE FLEXIBLE DRAIN HOSE THAT IS INCLUDED WITH THIS UNIT IS FOR INSTALLATION INTO AN OPEN FLOOR DRAIN ONLY. SUBSTITUTING THE EXISTING DRAIN SHOE FOR A DIFFERENT ONE WILL NOT VOID THE WARRANTY AS LONG AS THERE NO DAMAGE OR EVIDENCE OF MISUSE TO THE BASE.

IF A DIFFERENT DRAIN SYSTEM FOR THE SHOWER IS USED, THE STEAM GENERATOR MUST A HAVE DRAIN CONNECTION AVAILABLE TO DISCHARGE THE WATER INTO THE MAIN SHOWER DRAIN. A $\frac{3}{8}$ "OD STUB MUST BE ADDED TO THE MAIN SHOWER DRAIN TO CONNECT THE STEAM GENERATOR DRAIN OUTLET.

Note: Within the Warranty period, please don't take off the decals from the computer control boxes and the steam generator without manufacturer's permission. Have only licensed professionals install or perform any maintenance. Generally, our technicians can troubleshoot most problems over the phone. When calling for service questions, please provide your model number, serial number, Purchase Order, and type of problem you are having.

TOOLS REQUIRED FOR INSTALLATION:

Level



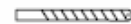
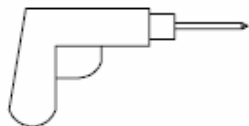
Screw driver #2 Phillips

Silicone



Wrench

Electric Drill



Square Ruler

Rubber mallet

PRODUCT FEATURES

DESCRIPTION	WS102	WS105
4.2kW Quick heating -Self-Draining Steam Generator		✓
3kW Quick heating -Self-Draining Steam Generator	✓	
Steam Aromatherapy Cup	✓	✓
Body Massage Jets	✓	✓
Hand-held Shower w/ Various water massage settings & adjustable height bracket	✓	✓
8 inch (203mm) wide water-drenching Rainfall Shower	✓	✓
Thermostatic / Anti-scald Faucet	✓	✓
Strengthened Black Back Tempered Glass walls	✓	✓
Clear Glass Front & Doors	✓	✓
Polished Aluminum Trim	✓	✓
"Glass Touch"/no seam Control Panel	✓	✓
Complete media center with FM Radio	✓	✓
Wireless transmitter for all devices	✓	✓
"Chromatherapy" LED multiple Color Lighting	✓	✓
Waterproof Oak Shower floor Grid	✓	✓
Accessory Rack	✓	✓
Circulation Fan	✓	✓
Corner Unit	✓	✓
Folding Seat	✓	
Removable Wood Stool		✓
Sliding doors	✓	✓
Swinging Door		

UNIT INFORMATION

Model	Electric Parameter			Size		
	Voltage	Power	Frequency	Length	Width	Height
WS102	220V	3KW	60-50Hz	1016mm/40 Inch	1016mm/40 Inch	2250mm/88.5 Inch
WS105	220V	4.2KW	60-50Hz	1200mm/48 Inch	1200mm/48 Inch	2250mm/88.5 Inch

Steam Ready: 1-2 minutes, optimum room temperature reached within 2-5 MIN.

ELECTRICAL INFORMATION

- 1 dedicated 12-2 wire with 20 amp GFCI breaker (220V)
- **Connect the overhead light, speaker, fan, CD, telephone according to the tags on the wires.**
- **Do not connect the wire "O3" to anything.**
- **Connect main power supply.**

PLUMBING INFORMATION The unit is equipped with 3 ft. hot and cold, metal braided water supply hose with ½-inch national pipe thread to connect from faucet/manifold (Manifold is located. 4 ft. high on rear of unit) to the shutoff valves (should be installed where they can be accessed). **Note:** base edge sets directly against back and sidewall. Do not install any pipes along walls as to impede the base from setting flush against them..

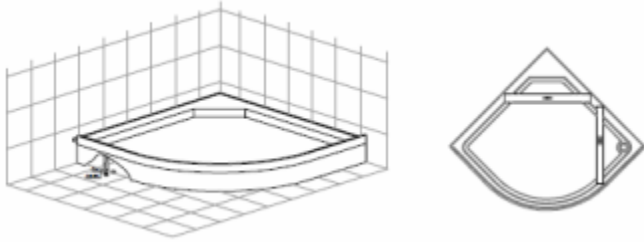
- Install hot and cold shutoffs with ½ -inch male national pipe thread (not included). Install shutoffs where they can be accessible.
- Access panel near controls, pumps, and jets is recommended
- **Drainage:** It is advised to have base onsite before preparing drain location. The diameter of the drain hole should be larger or equal to $\Phi 40\text{mm}$ (1.6 inches).
- **Note:** The flexible drain hose included with this unit is for installation into a floor drain only. Substituting the existing drain setup for a setup of the installers' choice will not void the warranty of the unit as long as there is no evidence of misuse or damage to the base. If the substitute drain system is used, a 3/8 in stub must be added to the main shower drain line to connect the steam generator's automatic flushing drainage hose.
- **All fixtures and fittings must be checked for tightness as they may have been loosened during transport**

GENERAL INFORMATION

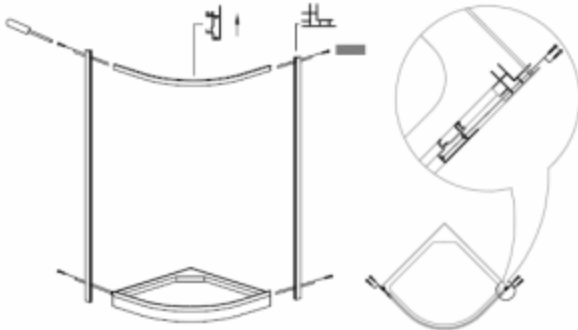
- **Connect hot and cold supplies and all electrical just before unit is set into place.**
- Units come broken down in panels and are assembled with screws, nuts and bolts on site.
Note: All shower bases need to be leveled in its final resting position (all feet must be touching the ground), mark the placement, then pull base out and begin assembly.
- It is advised to have base onsite before preparing drain location.
- Access panel near controls panel and jets recommended.
- **Manufacturer reserves the right to change specs or features at anytime. Please check to confirm details. 1-866-783-2661**

INSTALLATION INSTRUCTIONS FOR WS102 & WS105

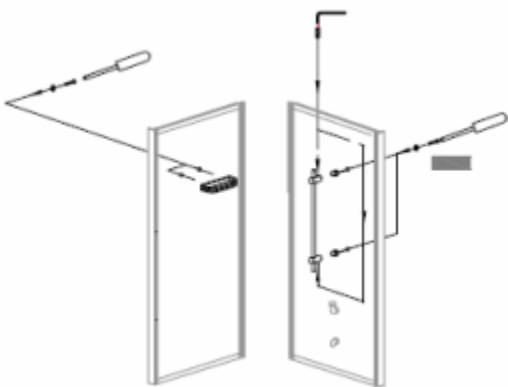
1. Level the tray with the level.
2. Make sure all the adjustable feet are touching the ground and supporting the base.



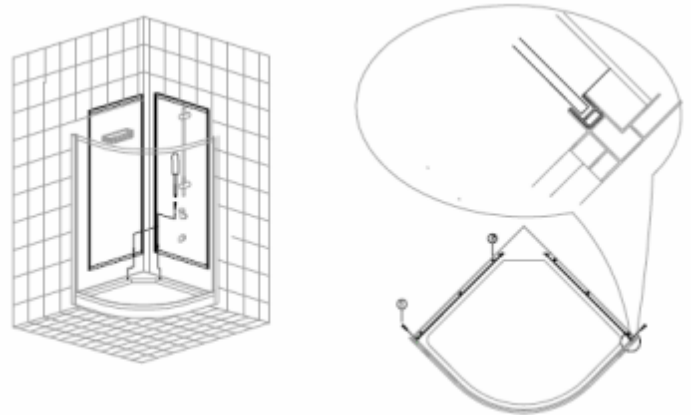
3. Connect the drain if building the unit in its final resting place. *Note:* This unit can be built from the inside.
4. Assemble curved, horizontal rail to left and right vertical rails using ST4X40 screws.
5. Attach the door frame to the base using ST4X40 screws.



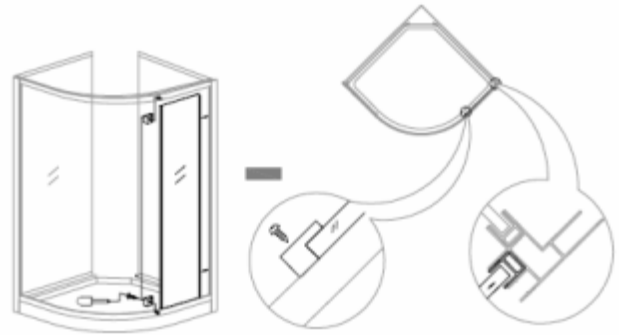
6. Use ST4X20 screws and covers to attach the vertical rails to the base skirt.
7. Attach the chrome trim to the base.
8. Install the shower bar on the right side back panel using hardware enclosed in cloth bag. Install shampoo holder onto the left black back panel using M4X25 caps, nuts, bolts, and O-rings



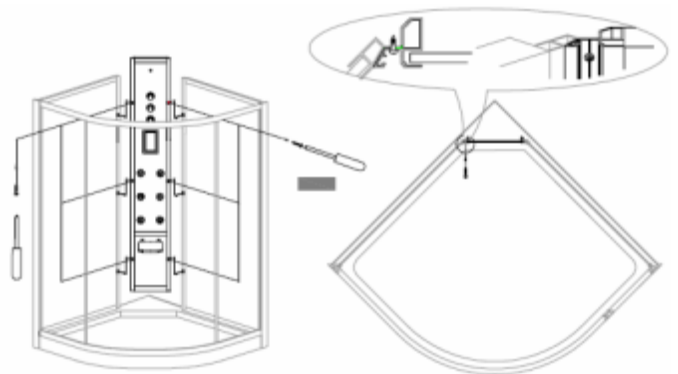
9. Inspect and tighten the body jets and hoses if necessary
10. Install the left and right side black back walls.



11. Install the left and right clear fixed panels.

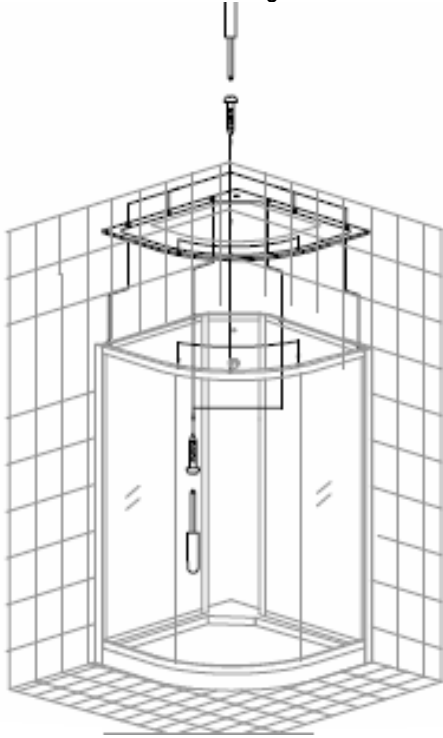


12. Bring main center panel inside the unit.
13. Connect water supply lines to the water manifold. Connect side panel water jets to the manifold, then connect the power supply.
14. Attach center panel to right and left side panels with ST4X16 screws.

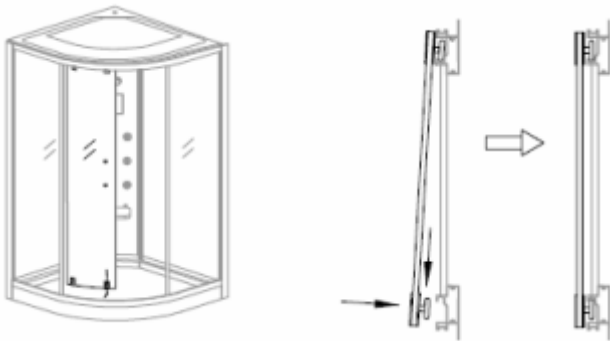


INSTALLATION INSTRUCTIONS FOR WS102 & WS105

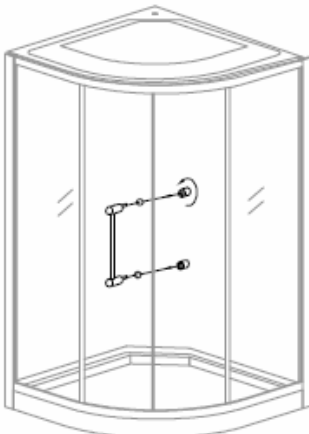
15. Connect fan, light, and radio wires to the roof. Install the roof of the shower cabin using ST4X12 screws



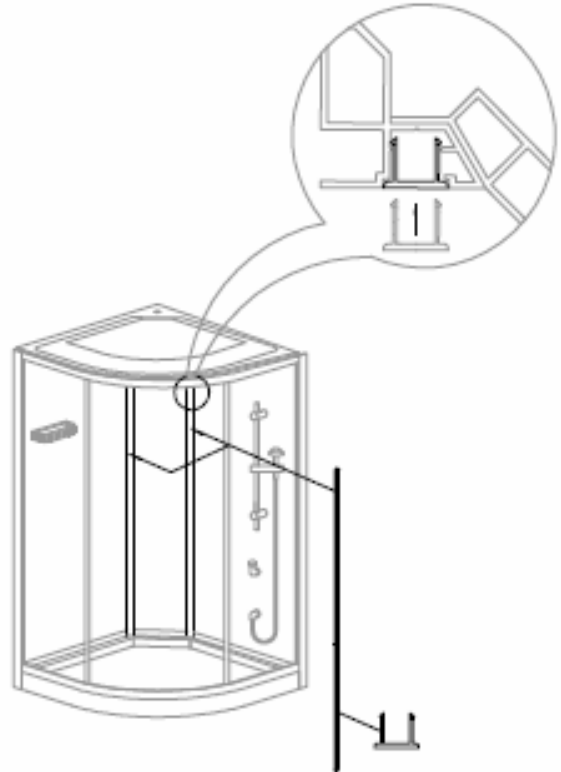
16. Install the sliding doors. Spring loaded rollers go on the bottom.



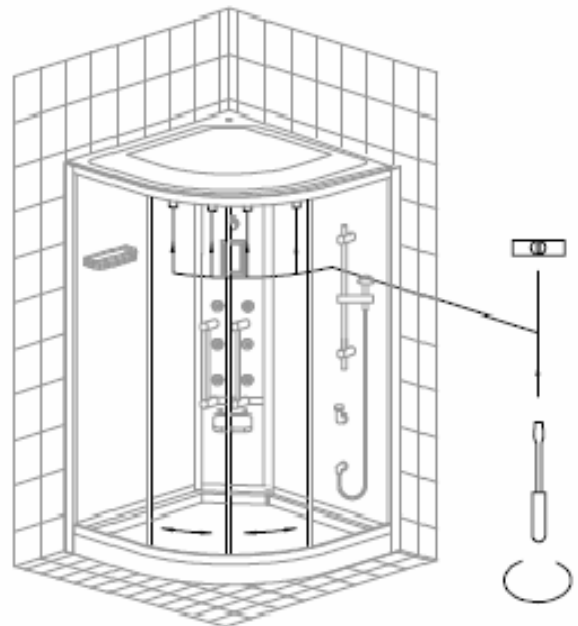
17. Install the door handles.



18. Reinstall the aluminum strips near the back panel.

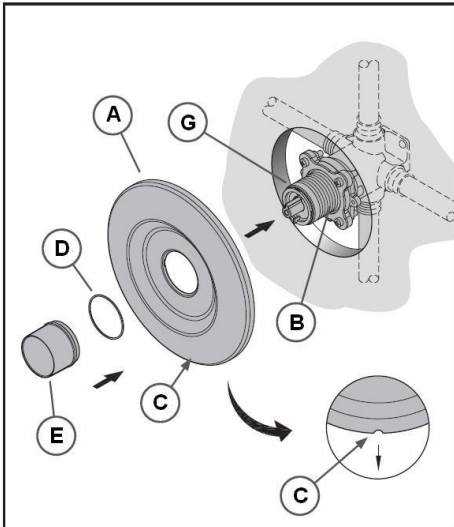


19. Adjust the sliding doors so that they close tightly.
20. Attach the door gaskets.



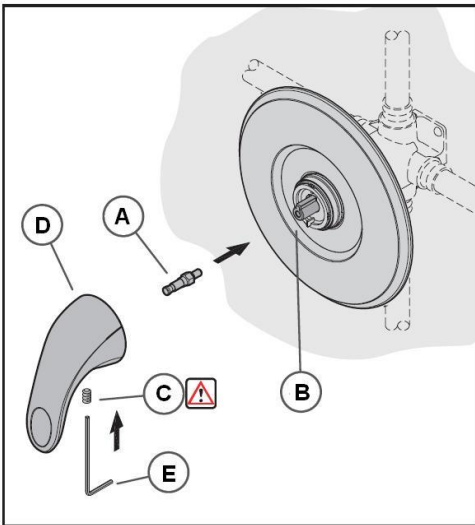
21. Lastly, place the wooden floor grids on the shower tray and place stools (WS-105 only) on the inside of the unit.
22. Install the shower wand and flexible hose and place inside sliding shower rail.

HANDLE ASSEMBLY



TRIM FLANGE ATTACHMENT

Position Flange (A) on the Valve (B) with drain hole (C) at the bottom. Place Protective Washer (D) on the short end of the reversible Retainer Sleeve (E). Screw Retainer Sleeve (E) onto threaded section of the Stem and Bonnet (G). Tighten Retainer Sleeve (E) by hand until Flange (A) is snug to finished wall surface. If the short end of the Retainer Sleeve (E) is too short, reverse it to use the longer end.



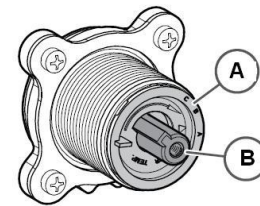
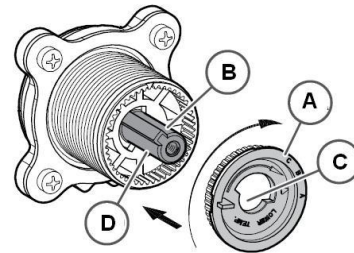
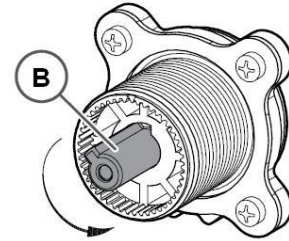
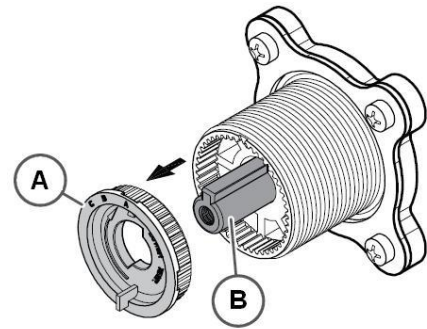
HANDLE ATTACHMENT

Screw Stem Extender (A) onto the Valve Stem (B). Thread the Set Screw (C) into the Handle and thread it in only three or four turns. With valve in CLOSED position, place handle (D) onto the Stem Extender (A) and tighten the Set Screw (C) by using the Hex Wrench (E) that is provided.

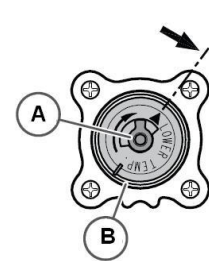


Make sure Set Screw (C) is securely tighten to handle (D).

TEMPERATURE ADJUSTMENTS



FULL TRAVEL



LIMITED TRAVEL

Adjustment gear (A) is factory-set to prevent stem from reaching full hot position. To adjust stem rotation: remove adjustment gear (A). Rotated stem (B) counterclockwise to determine a maximum desired temperature. Replace gear aligning adjustment stop (C) to stem tab surface (D) to stem (B) cannot move beyond adjustment point.

MAINTENANCE & CARE

Disassembly:

1. Replacement parts may be available at Lowes or Home Depot.
2. When replacement parts are not available, please write or call Price Pfister Consumer Service.
3. **Always turn off water and release pressure before working on your faucet.**

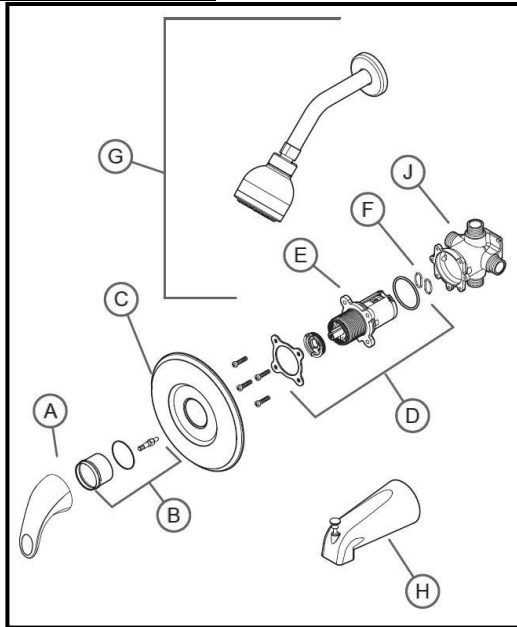


Note: Trim Care

Cleaning instructions:

For all Handles and decorative finishes, use only a soft damp cloth to clean and shine. Use of polish, detergents, abrasive cleaners, organic solvents or acid may cause damage. Use of other than a soft damp cloth will nullify the warranty. Trim products which contain porcelain or other similar substances are not acceptable for public areas or commercial use. Installation of said trim is at users risk!

TROUBLESHOOTING TIPS



☆ Temperature or flow does not remain consistent.

The cartridge assembly (D) may need cleaning. Shut off water supply. Remove handle assembly (A), unscrew retainer sleeve (B) and remove flange (C). Remove cartridge assembly (D) and inspect cartridge (E) and inlets for debris or sediment and flush with water. Reassemble the whole unit and test. If problem persists you may need to replace the cartridge.

☆ Sleeve (B) is too short.

Extension kit 910-563 is available at a nominal charge for valves which have been roughed-in too far back in the wall. The kit contains a one inch stem extension, and a sleeve which is one inch longer than the 972-300.

☆ Dripping from either the tub spout or shower head.

Clean the cartridge assembly (D). Check to ensure the two oval O-Rings (F) on the back of the cartridge (E) are in place. Reassemble cartridge, stem and bonnet assembly and handle. Turn on the water and test. If the unit still leaks, replace the cartridge (E).

☆ Make sure that both hot and cold water inlets are turned on.

☆ Water flow is very low.

Check the cartridge assembly (D), for debris. Sediment where the water enters the shower head (G) can also cause this symptom.

☆ Water starts out hot and becomes cooler as handle is rotated counter clockwise.

This is a potentially hazardous situation and should be corrected before using the unit. Check the hot and cold inlet positions (hot-left, cold-right). If you have a back to back installation, (where hot and cold inlets are reversed) refer to valve body instruction sheet for back to back installation.

☆ Water flows from the shower head while filling the tub.

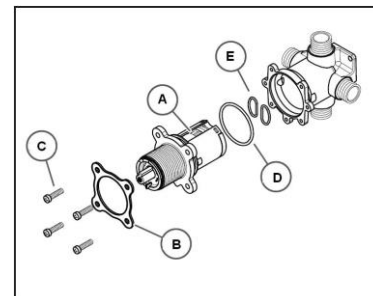
Check the position of the valve body (J). The letters SHWR should be vased into the top and TUB on the bottom.

☆ Water doesn't get hot enough.

Remove hand (A), sleeve (B) and flange (C) and then refer to valve body instruction sheets for adjusting temperature range.

☆ Water flows from the tub spout while using the shower.

The seal inside of the diverter mechanism may have become dislodged. The spout (H) may need replacement.



CLEANING CARTRIDGE

If temperature or flow does not remain constant, the cartridge assembly (A) must be cleaned. Shut-off water supply. Remove trip assembly (not shown). Remove screws (C), backup plate (B) and cartridge assembly (A). Inspect inlets for sediment and flush with water. Inspect O-rings (D & E) for damage. Re-install cartridge assembly (A) and backup plate (B) then turn on water supply. If the problem persists replace cartridge assembly (A).

CAUTION: Do not disassemble cartridge (A).

CLEANING AND MAINTENANCE FOR ALL UNITS

1. Liquid detergents and soft cloth should be used. Do not use any abrasive cleaners.
2. The scale on the surface can be cleaned with a soft cloth and non abrasive cleaner or heated vinegar.
3. After every 30 times of using the unit, we suggest you to clean the steam generator.

We advise the use a filtration system for the steam generator unit.

One Compatible filtration system option is the **-Whirlpool WHKF-DWHV**

STEAM GENERATOR CLEANING FOR ALL UNITS

Remove the cover of the cleaning liquid inlet and pour in approximately 1L of citric acid or white vinegar. Start the steam function to fill the steam generator with water. *Stop the steam function before the steam starts to come out* ("acidic" steam is damaging to plated fixtures). Do not shut off the main power. The scale in the steam generator dissolves and the system drains the dirty water out after 60 minutes.

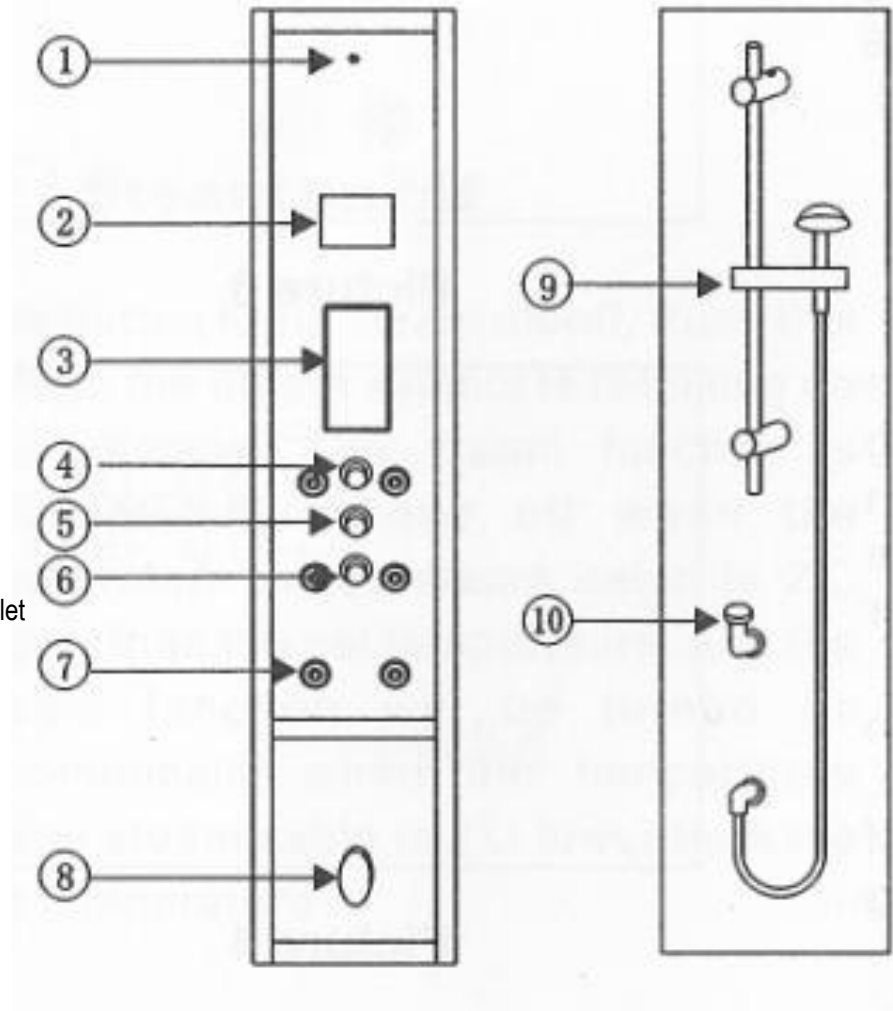
GENERAL USE AND MAINTENANCE FOR ALL UNITS

- A. Drops of water will continue to drain out from the jets and water outlets after use, this is normal and it will eventually stop.
- B. Abrasive cleaners must not be used.
- C. Always shut off the power supply when the system is not in use.



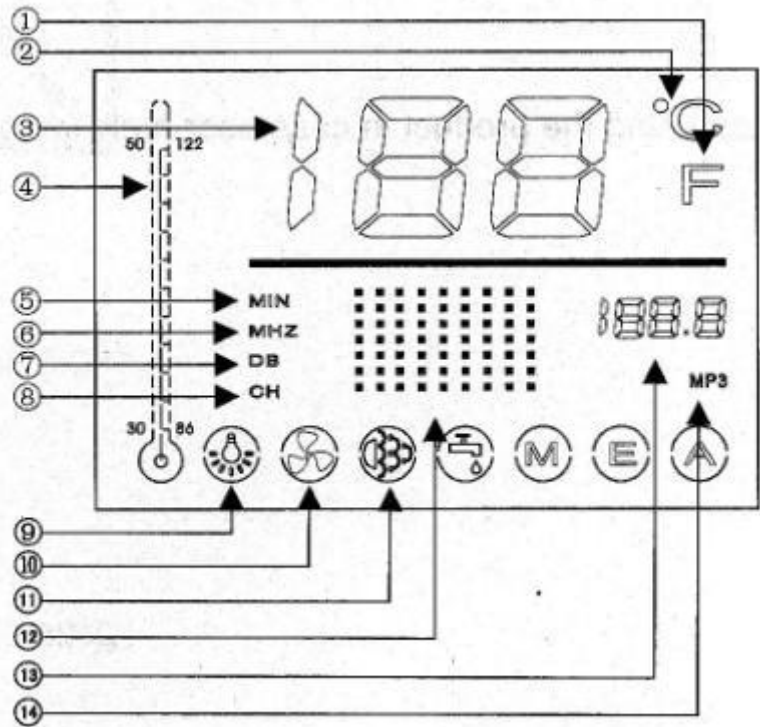
CONTROL PARTS INFORMATION FOR STEAM SHOWER FOR ALL UNITS

1. Steam Temperature Sensor
2. LCD Display
3. Control Panel
4. Water Diverter
5. Water Flow Adjustment (On/Off)
6. Water Temperature Adjustment
7. Body Jets
8. Steam Outlet
9. Handheld Shower Set
10. Steam Generator Cleaning Liquid Inlet

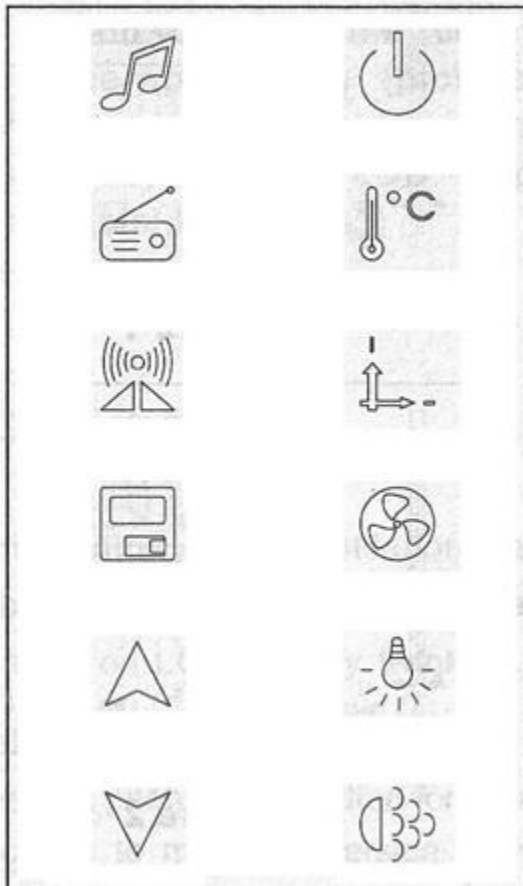


LCD DISPLAY:

1. Fahrenheit Degree (if applicable)
2. Celsius Degree
3. Temperature
4. Temperature Indicator
5. Time Setting
6. FM Radio Frequency
7. FM Radio Volume
8. Channel
9. Chromatherapy on/off
10. Circulation Fan on/off
11. Steam on/off
12. Power on Indicator
13. FM Radio Frequency
14. Mp3 on/off



CONTROL PANEL FOR STEAM SHOWER:



- Power on/off
- Steam temperature setting
- Steam time setting
- Circulation Fan
- Chromatherapy
- Steam on/off
- Music on/off
- Radio
- Volume/Frequency
- Radio memory
- + adjustment
- adjustment

CONTROL PROCEDURES



Power on/off

Push any button to light the display, and press the power on/off switch to start the system. Push the power on/off switch again to turn off the system and display.



Steam Temperature Setting

Touch the Steam Temperature Setting button and the display will appear on the screen. The temperature ranges from 20°C to 59°C circularly. Let go of the button when the desired temperature has been reached, and the figure is set as a steam setting. The steam generator stops working when the temperature inside is 4°C higher than setting temperature. The steam generator has 4°C variance between accrual set temperature and real temperature. The default steam setting is 45°C if the user does not choose any setting.



Steam Time Setting

Touch the Steam Time Setting button and the display. The range is 20-59 minutes. Let go of the button when the figure reaches the desired time and is set as the working time for the system. The system is automatically shuts off when the set time expires or 45 minutes is up (default system time).



Chromatherapy

This button controls the color of the Chromatherapy LED lights (picture 5). When the Chromatherapy function starts, the lamp symbol on the LCD display flashes.



Circulation Fan

This button turns fan on/off. When fan is turned on, the fan symbol on the LCD display Flashes.



Steam on/off

This button turns the steam on/off. Touching this button makes the steam symbol on the LCD display flash. The temperature sensor regulates steam output based on the preset steam temperature. The steam generator has 4°C variance between accrual set temperature and real temperature.



Music on/off

This button turns music on/off.



FM Radio on/off

Touch this button, and the radio station will show on the display. The FM radio is now on. The radio frequency by default is the same as the radio frequency selected last time.

Note: if the MP3 shows on the display the radio will not play. Touch the FM radio button again.



Volume & Frequency Adjust

- Volume








Touch this button when the FM radio is on. Push   to adjust the volume. Display will show DB.

- Frequency

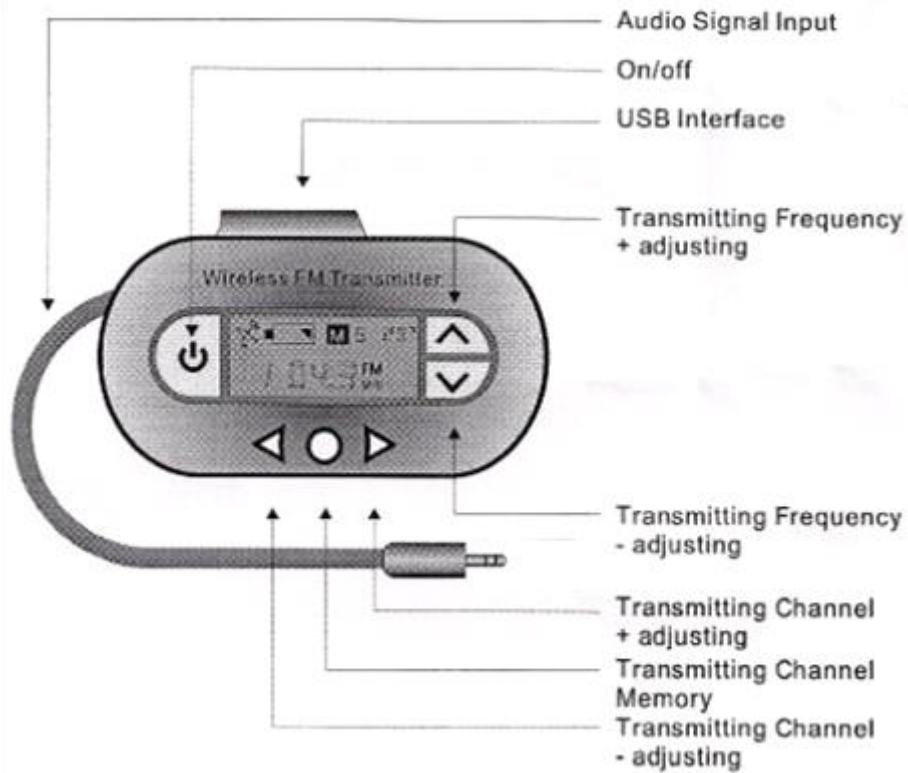
Touch this button when the FM radio is on. Push the [ ] again to adjust the frequency. Display will show MHZ.

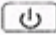


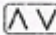
Channel Memory

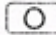
- Channel Memory Setting:
 - Start FM Radio
 - Set serial number touch  button and touch  button again, fissure from 1 to 8 shows circularly; stop touching this button when the wanted fissure shows.
 - Adjust FM Radio to your favorite channel; touch  button to adjust frequency and volume.
 - Channel Memory: Touch  button for more than 3 seconds; the figure shows +1 and turns to original setting station number. Release button to finish setting for one channel. If the station number is used for another channel, this channel will be replaced by the new channel in memory.
 - Repeat the above steps to save channels in memory. Maximum 8 channels can be memorized.
- Find Channel:
 - Start FM Radio. Touch  button to find right channel in memory.
 -  + adjust
 -  - adjust
 - The above 2 buttons are used to adjust frequency and volume.

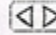
WIRELESS FM TRANSMITTER



 On/Off: Push and hold this button for power on/off. Push and release this button shortly to change between transmitting and clock. Audio signal input: to be connected to audio signal output interface of Mp3 player.

 Transmitting frequency +/- adjusting: push this button to increase/decrease for transmitting frequency for FM. The adjusting range is 88-108.8MHz.

 Transmitting channel memory: push and hold this button to memorize this channel after the transmitting frequency is selected

 Transmitting channel +/- adjusting: push this button to select the transmitting channel from memory up or down.

Note:

1. Make sure not to select transmitting frequency which is the same as the existing FM radio frequency because it will not transmit.
2. The wireless FM transmitter should be placed far away from any other wireless transmitting device

TROUBLESHOOTING FOR STEAM CABIN

ISSUE	CAUSE	SOLUTION
Touch panel does not work	1. Not connected properly	Check connection between control panel and power box
	2. Wrong voltage	Change to 220V supply
No steam	1. Desired steam room temperature is lower than current temperature	Increase the desired temperature to be higher than current temperature
	2. The water inlet valve not letting water in	Check water inlet valve for blockage and 12V power supply to valve
	3. The water level sensor is not working (water coming out steam outlet)	Clean scale of the water level sensor or replace it
	4. Thermal switch in the heater is not working (no steam from generator)	Change thermal switch installed inside the heater
	5. The heater is not working	Change the heater
	6. The water supply is shut off	Open water valve
Steam generator keeps adding water	1. The water inlet electromagnetic valve is not shutting off	Replace water inlet valve
	2. Water level sensor cannot detect signal	Clean scale of water level sensor or replace it
Power supply is off when on/off button is pushed	1. There is short circuit from heater	Replace heater
	2. There is short from thermal switch inside heater	Replace thermal switch
Water leaks from valve	The seal is damaged	Change the seal
Water flow volume is low	Water supply has clogged filter.	Clean Filter

For additional help, call Steam Planet Corp at 1-866-STEAM-61.

