

# homewardbath

## **KASCADE SHOWER ENCLOSURE** INSTALLATION GUIDE



## Table of Contents

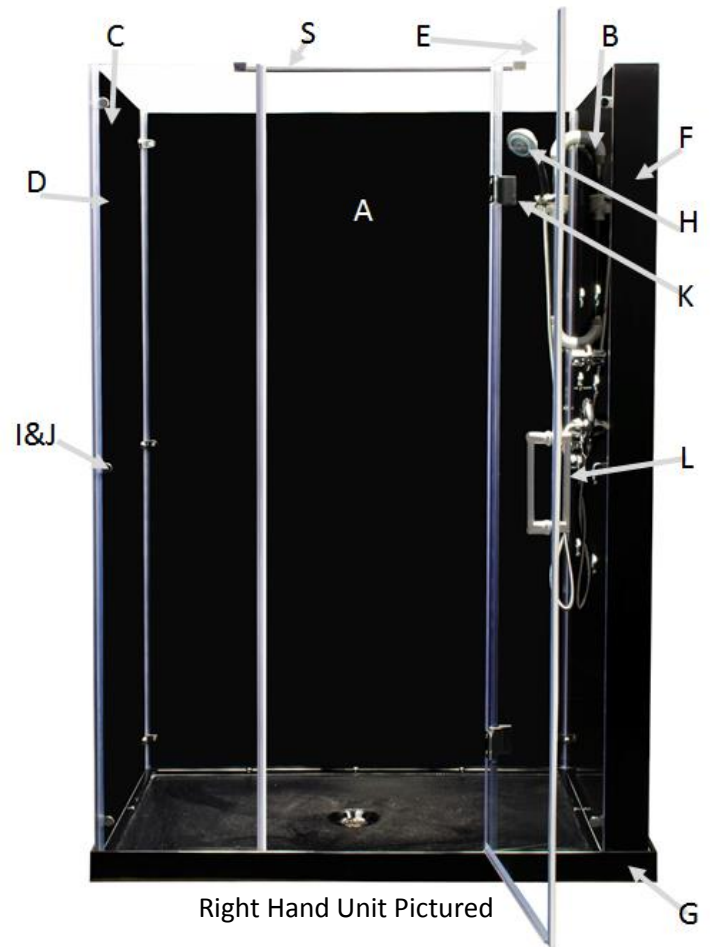
IMPORTANT INFORMATION: -----	3
PARTS LIST: -----	3
DIMENSIONS: -----	3
RECOMMENDED:-----	3
ASSEMBLY INSTRUCTIONS: -----	4
MAINTENANCE & CARE-----	8
TROUBLESHOOTING TIPS-----	8
CLEANING CARTRIDGE -----	8

## IMPORTANT INFORMATION:

This unit can be assembled as a right hand or left-hand unit. The main control panel and the 5in elevated platform on the base (G) determines the direction.

## PARTS LIST:

- A. 1 large back panel Black
- B. 1 main control panel Black
- C. 1 side panel Black
- D. 1 clear front panel
- E. 1 clear door with hinge holes
- F. 1 clear front panel with black stripe on side and hinge holes (stripe will cover the shelf on the base)
- G. 1 Base Black
- H. 1 Hand held shower wand, bracket and hose
- I. 12 angle brackets
- J. 24 angle bracket bolts
- K. 2 door hinges
- L. 1 metal door handle
- M. 1 set magnetic door gaskets
- N. 3 half-moon door gaskets
- O. 1 bottom door sweep
- P. 1 roll foam rubber tape
- Q. 3 corner gaskets
- R. 1 small support bracket
- S. 1 long support bracket

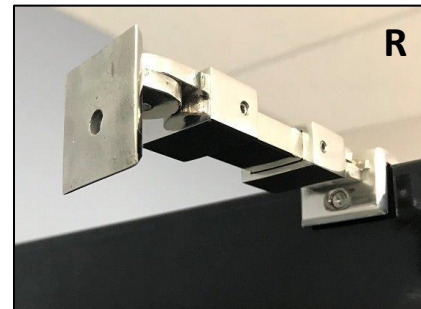


## DIMENSIONS:

60L X 32W X 85 H

## RECOMMENDED:

- ❖ Control panel access
- ❖ ½ shutoff valves



## ASSEMBLY INSTRUCTIONS:

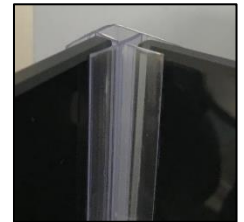
1. Make sure there is enough space to set the base in place (32 X 60) and 85 in for height.
2. Determine which direction of the unit is appropriate I.E. left or right. The 5in elevated platform of the base is where the control panel(B) will be.
3. Connect the shower base drain to the base and set the base in place using Thinset or some other support material to level the base and support it.



4. Place the foam tape in the channel of the base to support the glass panels. Make sure the weep holes in the base are free and clear so that any water getting to the outside can drain back into the shower.

Note a bottle of Windex comes in handy at this time. Use it freely when attaching any of the gaskets.

5. Set the large back panel (A) in the back channel of the base, attach one corner gasket (Q) on each side.
6. Next slide the non-control panel (C) into the corner gasket on the opposite side of the wet wall will be.



7. Secure with bolts and angle brackets (I & J). Make sure as you are assembling the unit, all the glass panels are plumb and at 90-degree angles to each other.

8. Attach the shower wand bracket to the control panel (B).
9. Before installing the main control panel, make sure all the fittings and connections are tight.
10. Set the control panel (B) in the channel of the base and slide it into the corner gasket and secure it to the back panel with angle brackets and bolts. Connect the braided water lines to the hot and cold-water supply. Check for leaks.



11. Install the small support bracket (R) near the front top of the unit on the main control panel. Make sure the control panel (B) AND the front panel (F) are straight up and down and plumb. This bracket will stabilize the control panel and the hinge side panel when the door is installed. Attach the bracket to the wall.



12. Attach the third and final corner gasket to the outside edge of the non-control side panel (C). Slide the clear glass panel (D) into the gasket channel and secure it with the angle brackets and bolts.

13. Install one of the half moon gaskets on the outside edge of the main control panel (B), and place the clear panel with the stripe on it (E) into the channel. This will squeeze the half -moon gasket and make a water tight seal. Secure in place with angle brackets and bolts there should be an approximately a one - inch gap from the outside edge of the panel and the wall.

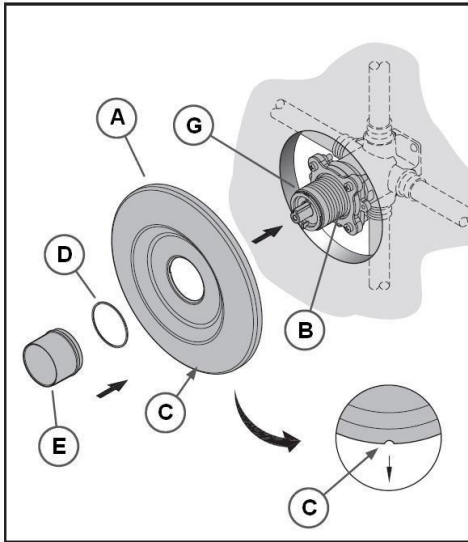
14. Next install the 28 in bar on the inside of the shower. It will be the bridge between panel (D) and panel (F). Move the glass panels so the edges are straight up and down and plumb so the door will fit properly, secure the brackets in place. The opening for the door should be very close to 24 ¼.



15. When installing the door (E) make sure the edges of the left and right-side front panels are straight up and down. When installing the hinges there will be several plastic spacers with each hinge. As an example, if the door closes at the bottom and not at the top, you would add a gasket or two to the bottom outside hinge attached to the FIXED panel, to move the bottom out to allow the top to close. Place one spacers between the glass panel and the hinge on each side except for the bottom outside of the FIXED PANEL, you need to place three spacers there, everywhere else has one spacer. Attach the door to the hinges. Close the door, the openings should be the same distance for each side from top to bottom. The space between the glass panels on the hinge side should be 5/8 in. and the space on the opposite side should be ¾. In.

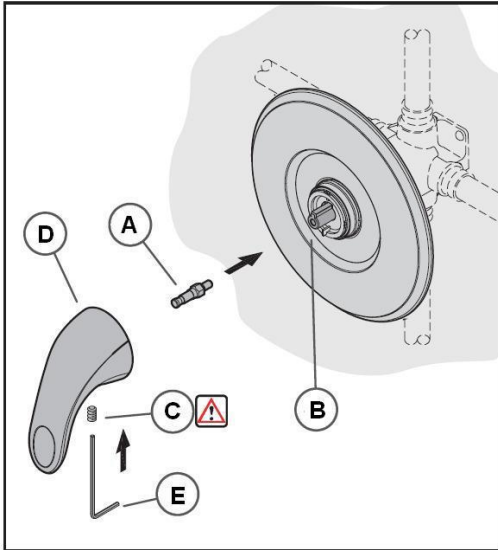
16. When trimming the door gaskets, it is important to make sure the vertical gaskets run from the top of the unit to almost touching the base on the door panel when opening and closing the door and the horizontal gasket fits IN BETWEEN the vertical gaskets on the door. The vertical gaskets that attach to the right and left fixed panels should extend from the top of the unit to the bottom of the base channel.
17. Install the magnetic gaskets on the non-hinge side of the door and fixed panel. Close the door and check for proper closure and seal. The magnetic gaskets will seal very securely when aligned properly. Once the door is closing properly add the two half-moon gaskets on each side of the fixed panel and door (on the hinge side).
18. Attach the shower wand hose to the open fitting inside the shower.

## PFISTER HANDLE ASSEMBLY



## TRIM FLANGE ATTACHMENT

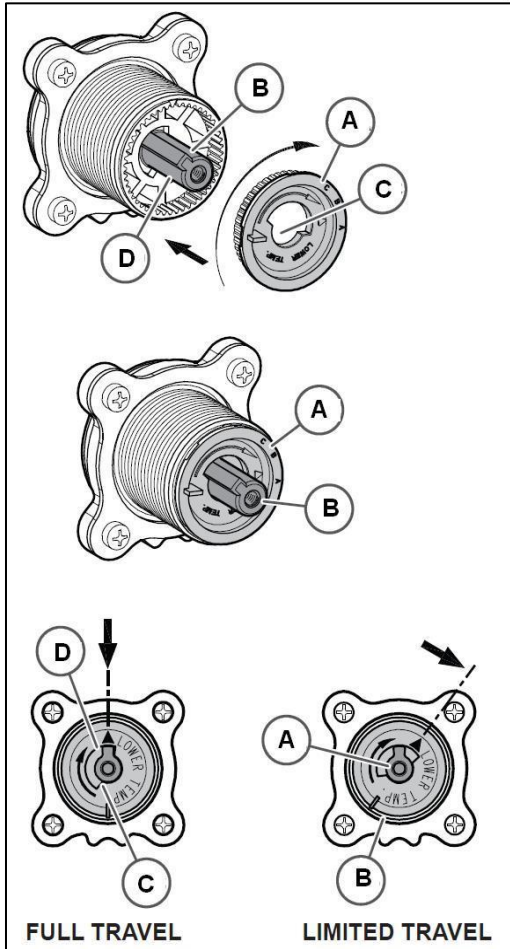
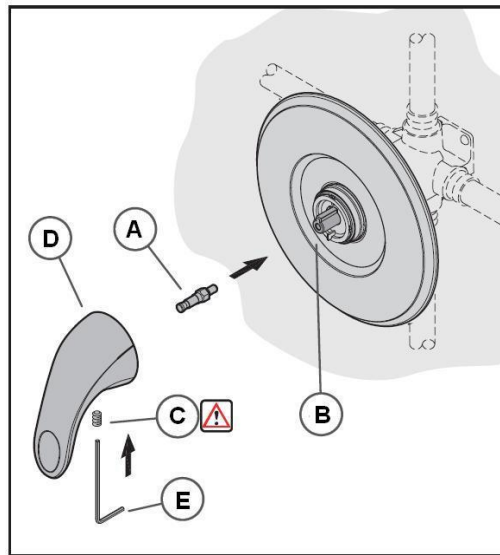
Position Flange (A) on the Valve (B) with drain hole (C) at the bottom. Place Protective Washer (D) on the short end of the reversible Retainer Sleeve (E). Screw Retainer Sleeve (E) onto threaded section of the Stem and Bonnet (G). Tighten Retainer Sleeve (E) by hand until Flange (A) is snug to finished wall surface. If the short end of the Retainer Sleeve (E) is too short, reverse it to use the longer end.



## HANDLE ATTACHMENT

Screw Stem Extender (A) onto the Valve Stem (B). Thread the Set Screw (C) into the Handle and thread it in only three or four turns. With valve in CLOSED position, place handle (D) onto the Stem Extender (A) and tighten the Set Screw (C) by using the Hex Wrench (E) that is provided.  
 Note: Make sure Set Screw (C) is securely tighten to handle (D).

## TEMPERATURE ADJUSTMENTS



Adjustment gear (A) is factory-set to prevent stem from reaching full hot position. To adjust stem rotation: remove adjustment gear (A). Rotated stem (B) counterclockwise to determine a maximum desired temperature. Replace gear aligning adjustment stop (C) to stem tab surface (D) to stem (B) cannot move beyond adjustment point.

## MAINTENANCE & CARE

### Disassembly:

1. Replacement parts may be available at Lowes or Home Depot.
2. When replacement parts are not available, please write or call Price Pfister Consumer Service.
3. Always turn off water and release pressure before working on your faucet.

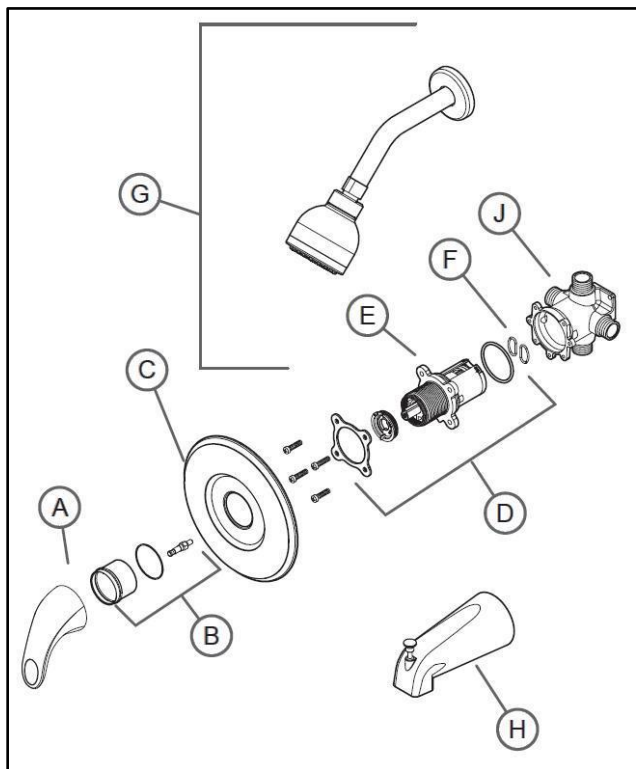
Note: Trim Care

### Cleaning instructions:

For all Handles and decorative finishes, use only a soft damp cloth to clean and shine. Use of polish, detergents, abrasive cleaners, organic solvents or acid may cause damage. Use of other than a soft damp cloth will nullify the warranty.

Trim products which contain porcelain or other similar substances are not acceptable for public areas or commercial use. Installation of said trim is at users' risk!

## TROUBLESHOOTING TIPS



### Temperature or flow does not remain consistent.

The cartridge assembly (D) may need cleaning. Shut off water supply. Remove handle assembly (A), unscrew retainer sleeve (B) and remove flange (C). Remove cartridge assembly (D) and inspect cartridge (E) and inlets for debris or sediment and flush with water. Reassemble the whole unit and test. If problem persists you may need to replace the cartridge.

### Sleeve (B) is too short.

Extension kit 910-563 is available at a nominal charge for valves which have been roughed-in too far back in the wall. The kit contains a one-inch stem extension, and a sleeve which is one inch longer than the 972-300.

### Dripping from either the tub spout or shower head.

Clean the cartridge assembly (D). Check to ensure the two oval O-Rings (F) on the back of the cartridge (E) are in place. Reassemble cartridge, stem and bonnet assembly and handle. Turn on the water and test. If the unit still leaks, replace the cartridge (E).

Make sure that both hot and cold-water inlets are turned on.

### Water flow is very low.

Check the cartridge assembly (D), for debris. Sediment where the water enters the shower head (G) can also cause this symptom.

### Water starts out hot and becomes cooler as handle is rotated counter clockwise.

This is a potentially hazardous situation and should be corrected before using the unit. Check the hot and cold inlet positions (hot-left, cold-right). If you have a back to back installation, (where hot and cold inlets are reversed) refer to valve body instruction sheet for back to back installation.

### Water flows from the shower head while filling the tub.

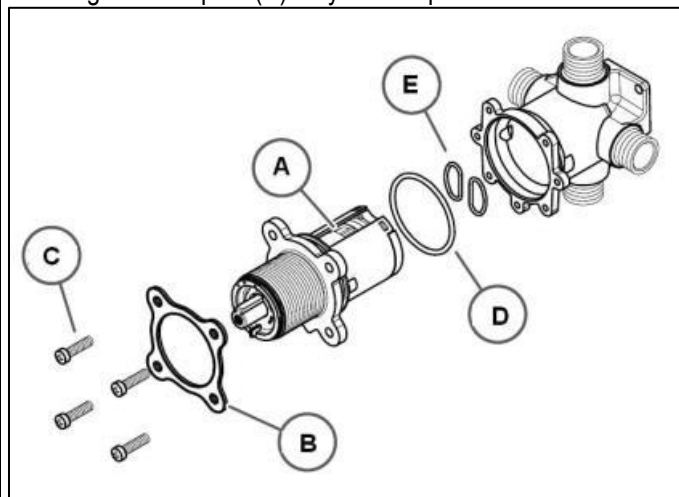
Check the position of the valve body (J). The letters SHWR should be vased into the top and TUB on the bottom.

### Water doesn't get hot enough.

Remove hand (A), sleeve (B) and flange (C) and then refer to valve body instruction sheets for adjusting temperature range.

### Water flows from the tub spout while using the shower.

The seal inside of the diverter mechanism may have become dislodged. The spout (H) may need replacement.



## CLEANING CARTRIDGE

If temperature or flow does not remain constant, the cartridge assembly (A) must be cleaned. Shut-off water supply. Remove trip assembly (not shown). Remove screws (C), backup plate (B) and cartridge assembly (A). Inspect inlets for sediment and flush with water. Inspect O-rings (D & E) for damage. Re-install cartridge assembly (A) and backup plate (B) then turn on water supply. If the problem persists replace cartridge assembly (A).

**CAUTION:** Do not disassemble cartridge (A).