

HY1X42

Sit-In Tub

FEATURES



Left Hand Model Shown

- ❖ Universal Tub
- ❖ Two level setup
- ❖ Easy Installation
- ❖ Available in Left or Right Hand
- ❖ Waterproof outward opening door with locking mechanism
- ❖ Headrest pillow
- ❖ Safety grab bars
- ❖ Front access panel
- ❖ 2" drain system
- ❖ Hand held shower (HY-1342 & 1242)
- ❖ High volume tub filler (HY-1342 & 1242)
- ❖ Heated air pump with jets (HY-1242)
- ❖ Limited Life Time Warranty on the door seal

HY-1X42 Options

- HY-1042 Soaking tub with no faucets or controls
- HY-1242 Tub with 16 Heated Air jets, faucet & controls
- HY-1342 Soaking tub with faucets and controls

TECHNICAL INFORMATION

- **Materials:** ABS composite acrylic with fiber glass backing
- **Dimensions:** 59 x 32 x 33 IN
- **Non Occupied Water Capacity:** 40-50 gallons

PLUMBING REQUIREMENTS

- Unit is equipped with flexible, metal braided NPT ½ inch water supply hose with NPT ½ female threaded connectors
- Need to install hot and cold shutoffs with NPT ½ male threaded nipples (not included)
- It is advised to have tub onsite before preparing drain location.

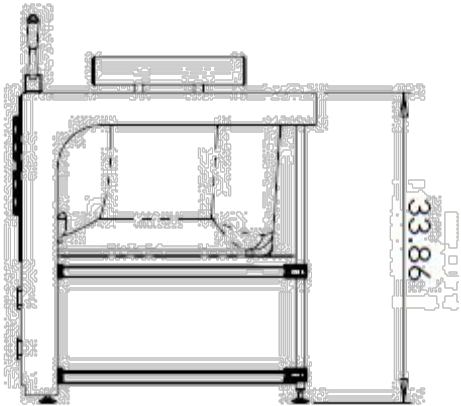
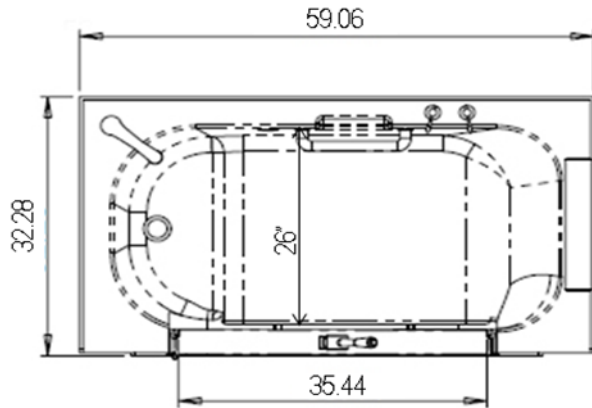
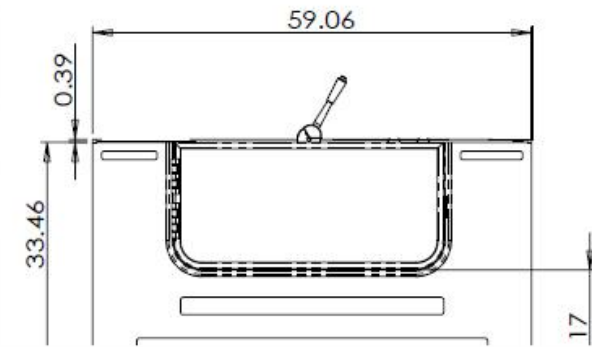
ELECTRICAL INFORMATION FOR HEATED AIR PUMP (HY 1242)

- Air jet motor with heater 110 volt
- Dedicated 12-2 wire with 110 volt, 15-20 amp GFCI breaker or GFCI outlet

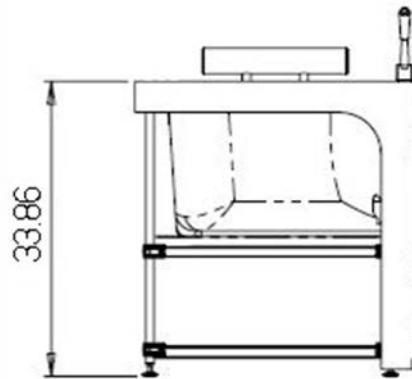
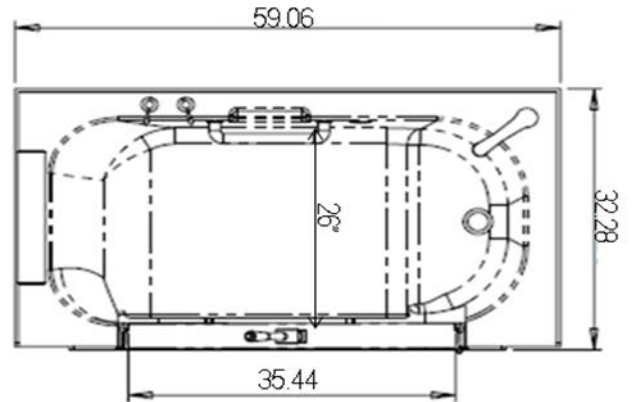
GENERAL INFORMATION

- **Note:** It is advised to have the tub onsite before preparing drain location.
- Unit **must** be leveled in its permanent position and all feet must be on the ground to fully support the tub. Tub must be secured to wall and/or floor. **Manufacturer reserves the right to change specs or features at anytime. Please check to confirm details. 1-866-783-2661**

HY-1X42-Left



HY-1X42-Right



Assembly Steps

