

homeward**b**ath

AQUARITE

Model: HW305930

(HW315930)

Installation Manual



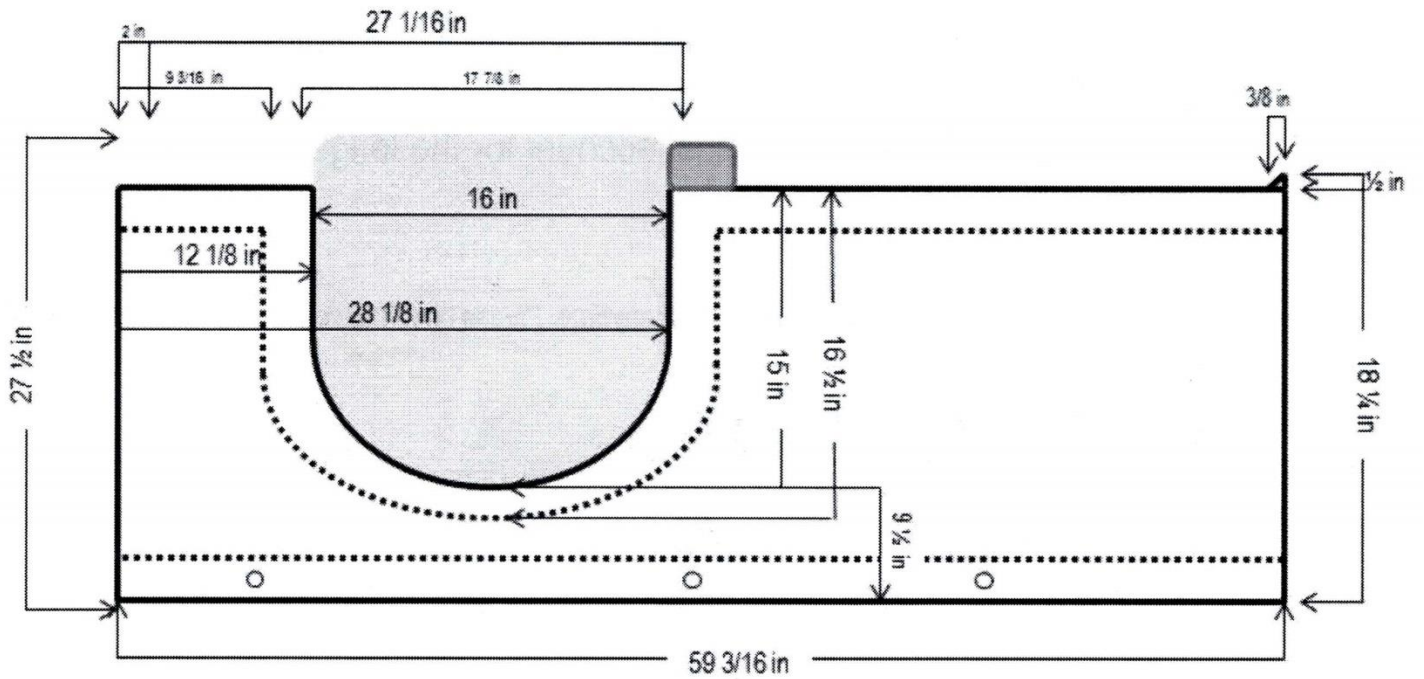
Table of Contents

Diagrams 1
Notice to Installers 2
Tools Needed for Installation 3
Drain Assembly Information 3
Tub Installation 4
Parts Request 5
Warranty Information 6
Notes 7
Customer Reviews 8

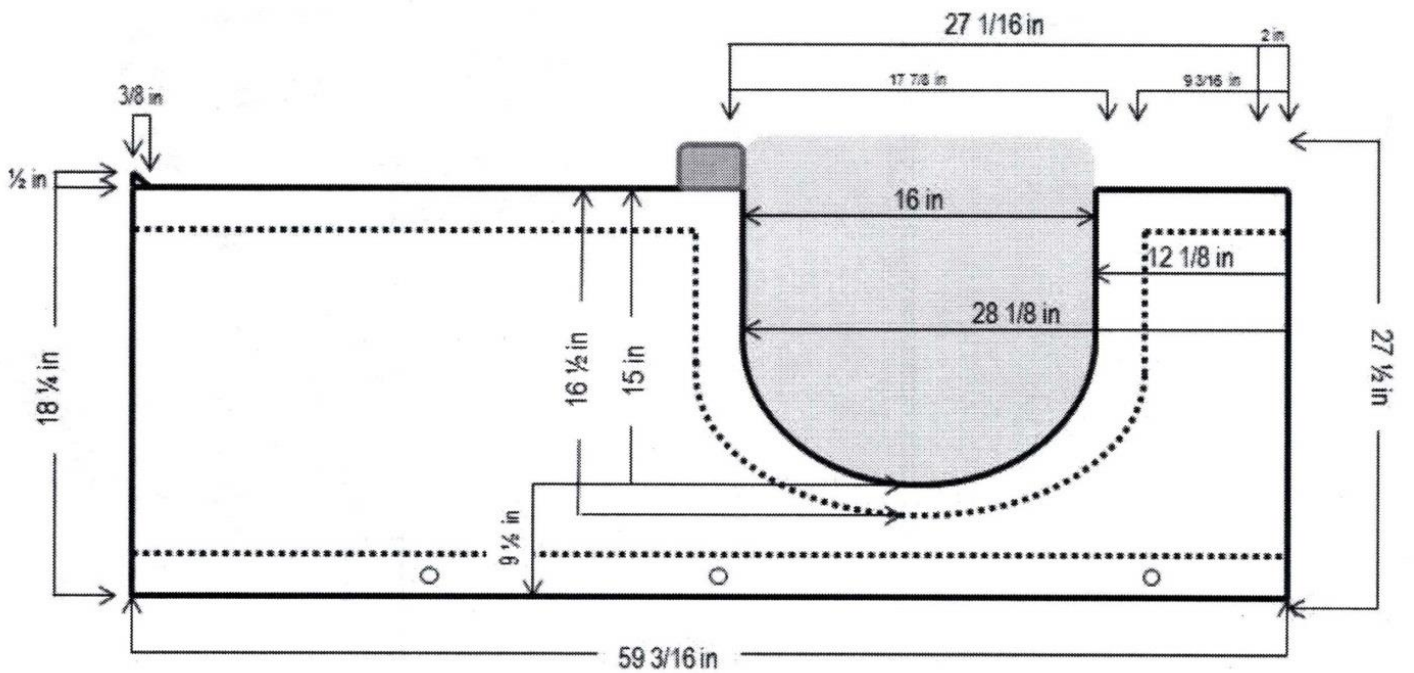
Note: Holes for the drain and overflow are to be made by installer. The centers are marked. The hole for drain is 2in or 51mm. The hole for the overflow is 2 ½ in or 64mm.

DIAGRAMS*:

Left Hand Drain Tub



Right Hand Drain Tub

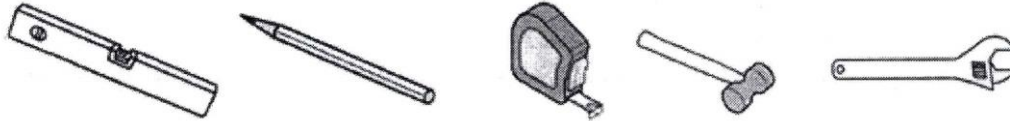


NOTICE TO INSTALLERS (READ ME FIRST):

1. Tub must be leveled in final resting position, mark the placement, and level. All feet must touch the floor.
2. It is advised to have the tub onsite before preparing drain location.
3. Holes for the drain and overflow are to be made by installer. The centers are marked. The hole for drain is 2in or 51mm. The hole for the overflow is 2 ½ in or 64mm.
4. Make sure the floor can withhold the weight of the product.
5. This is a freestanding tub. You must account for the length of the skirt if tiling around the tub.
6. Make sure door assembly is installed and tested for water leakage before tiling around the tub. If there is a problem with the door sealing, you will have more adjustment options available to correct the issue.
7. Heated air jet system requires 110V / 15 amp dedicated line
8. When installing the HW series tubs with the air system it is important to check the clear airline that connects the air switch (on the motor) to the air push button installed in the tub. This is the line that will start and stop the air pump. It sometimes comes off during installation. The tub can be tested without any water, with no resulting damage.
9. The air pump has 3 speed settings. Pressing the push button once will start the pump on high, pressing it a second time will slow the pump to medium, a third time will set the pump to low and the fourth time will shut off the pump.
10. After the air pump has been turned off for approximately 20 minutes it will come on automatically and run to blow the water out of the lines, it will stop after about 1 to 2 minutes; this is called the purge cycle. You cannot manually stop this cycle once it starts but it will stop automatically.
11. Heated Air system requires 110/120V 15 amp breaker

Manufacturer reserves the right to change specs or features at any time. Please check to confirm details. 1-866-783-2661

TOOLS NEEDED FOR INSTALLATION:



DRAIN ASSEMBLY INFORMATION

Note: One 8in section of Schedule 40, 1 ½ in drain pipe for item #8 of water bath waste system will be needed in addition to the drain kit included with the tub.

Step 1: Cut the 1 ½ in Schedule 40 pipes (Item 8 and Item 10) to the desired lengths to fit the tub.

Step 2: Using the proper solvent cement, assemble the bath drain pipes and fittings (Item 7 thru Item 11).

Step 3: Place foam gasket (Item 12) onto overflow elbow (Item 11).

Step 4: Insert overflow elbow and foam gasket assembly into the tub overflow hole from the back of the tub.

Step 5: Screw on retainer nut (Item 13) from inside of the tub. Hand-tighten only.

Step 6: Secure drain elbow (Item 7) and drain flange gasket (item 6) under the tub by screwing in the strainer body (Item 5) through tub drain hole from inside the tub. If not testing the drain waste, skip to step 8.

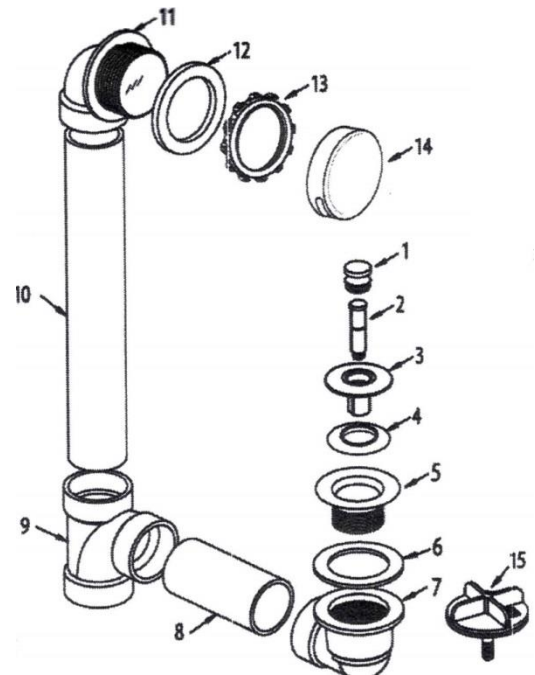
Step 7: Screw the strainer test plug (Item 15) into the strainer body (Item 5) and test the system. Once testing is complete, remove the strainer test plug (Item 15).

Step 8: Cut away the orange test membrane from the overflow elbow (Item 11).

Step 9: Snap on the overflow plate (Item 14) with the slot facing downward.

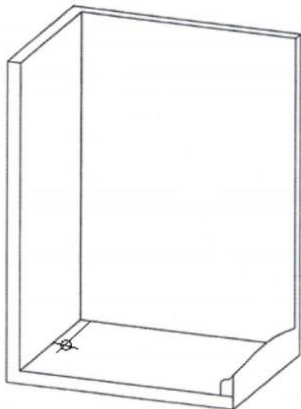
Step 10: Install the stopper assembly (Item 1 thru 4) into the strainer body (Item 5).

Note: Items 1 thru 4 may vary depending on the type of stopper assembly being used.

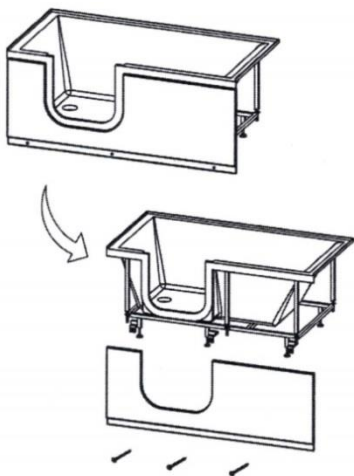


TUB INSTALLATION

1. Walls and floor must be clear of any debris. Note: Tub comes with 90 degree drain; make sure your drain location will work with the drain.

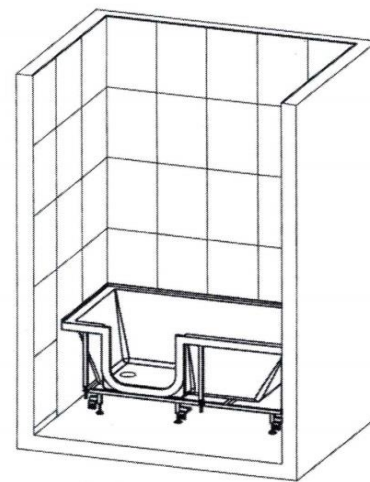
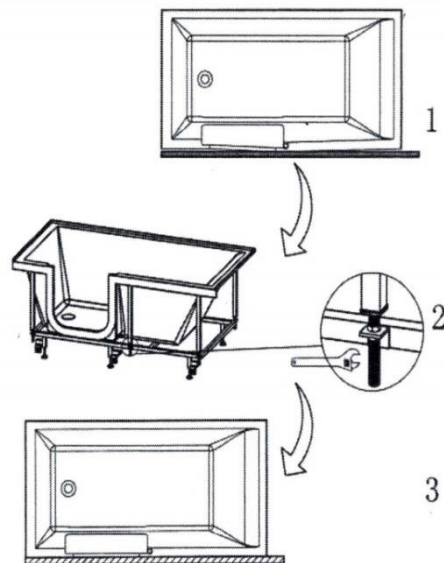
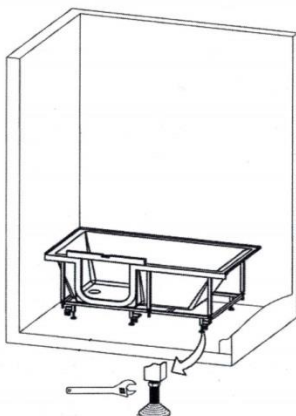


2. Remove the skirt from the tub for easy access.



***Please allow room for the skirt after installation.**

3. Place tub in final resting place, making sure tub is level and all feet are properly supporting tub. Adjust the feet if necessary.



4. Water test:

Before finish work is done, the tub has to be checked for leaks. Close and lock the glass door. Fill the tub to the overflow control.

NOTE: Any gaps between the skirt and the tub can be caulked with latex caulk. The caulk can be removed and replaced when the tub needs service.

5. Reattach the skirt.

Note: The air jet system will automatically turn back on approximately 15 minutes after each use. This cycle flushes out and cleans the pipes.

TO EXPEDITE PARTS REQUEST

Please visit
homewardbath.com/support

If you require additional
assistance, call 866-783-2661.

WARRANTY INFORMATION & REGISTRATION

Please visit our website:

homewardbath.com/warranty-registration

Registration must be completed
within **45 days** of receipt to be
valid.

A full description of the warranty
is available on the Homeward
Bath website.

CUSTOMER REVIEWS

Customer satisfaction is very important to us.

We would like to have your final installation picture(s) for publicity purposes.

Please send to: Marketing at:
marketing@hwbpro.com



homeward**b**ath

22900 Miles Rd
Cleveland, OH 44128
Phone: 866-783-2661
Fax: 440-348-2336

www.homewardbath.com

